

Bretagne Bed — Poltrona Frau R. & D. — 2015



Design calibrato e armonioso per un letto di misurata eleganza. Una visione di grande equilibrio che dà particolare spicco alla testata, dalla caratteristica forma arrotondata.

CARATTERISTICHE TECNICHE

Testata. Di forma arrotondata e leggermente inclinata in masselli di pioppo, faggio, toulipier e multistrato di betulla.

Imbottitura testata. In poliuretano espanso e ovatta poliestere.

Cuscini testata. Realizzati in poliuretano espanso e ovatta poliestere. Sono collegati alla testata tramite chiusure lampo e strisce di velcro.

Base. Longheroni in listellare di abete e pediera in multistrato di pioppo. Imbottitura in poliuretano espanso.

Piedi. In alluminio con finitura canna fucile e puntali di protezione in materiale plastico.

Altri componenti strutturali. Traversa centrale con piede, piastre angolari e altri accessori metallici: in lamiera d'acciaio verniciati neri.

Rivestimento. Interamente in Pelle Frau® (anche bicolore) o nelle opzioni che abbinano pelle e tessuto. Il tessuto è applicato solo al cuscino testata.

- Color System Frau® (SC) / Color System Frau® (SC)
- Color System Frau® (SC) / Fabric A
- Color System Frau® (SC) / Fabric B
- Color System Frau® (SC) / C.O.M.
- Nest / Nest
- Nest / Fabric A
- Nest / Fabric B
- Nest / C.O.M.

Per verificare i tessuti disponibili si prega di consultare la tabella dedicata "Schema abbinamento prodotti-tessuti".

N.B. L'opzione bicolore prevede una maggiorazione del 5% rispetto al prezzo della categoria pelle.

C.O.M. (Fabric/Mt. plain - Fabric/Mt. repeat)*

Letto 120: 1.60mt – 1.90mt
Letto 160: 2.30mt – 2.80mt
Letto 170: 2.60mt – 4.20mt
Letto 180: 3.00mt – 4.20mt
Letto Queen-Size: 2.30mt – 4.20mt
Letto King-Size: 3.00mt – 4.20mt

*Solo per cuscini testata.

Sfoderabilità. Prevista solo per i cuscini della testata quando rivestiti in tessuto.

Retro testata. Disponibile con rivestimento in:

- Tela (tela Jacquard Poltrona Frau)
- Pelle (in abbinamento alla testata e del giroletto)

A calibrated and harmoniously designed bed of measured elegance. A vision of great balance, putting particularly emphasis on the characteristically rounded headrest.

TECHNICAL FEATURES

Headboard. Rounded and slightly inclined, made of solid poplar, beech and tulipwood and birch plywood.

Headboard padding. In polyurethane foam and polyester wadding.

Headboard cushions. Padded with polyurethane foam and polyester wadding. They are connected to the headboard by zippers and Velcro strips.

Base. Bed frame boards made from spruce blockboard and footboard made from poplar plywood with a light. Polyurethane foam padding.

Feet. In aluminium in a gunmetal grey finish and protective plastic caps for the part which touches the floor.

Other structural elements. Midbeam with foot, corner plates and other metal accessories: made from black coated steel sheet.

Upholstery. Entirely in Pelle Frau® leather (also in a two-color version) or in leather / fabric combination. The fabric alternative is only available for the headboard cushion.

- Color System Frau® (SC) / Color System Frau® (SC)
- Color System Frau® (SC) / Fabric A
- Color System Frau® (SC) / Fabric B
- Color System Frau® (SC) / C.O.M.
- Nest / Nest
- Nest / Fabric A
- Nest / Fabric B
- Nest / C.O.M.

To verify the available fabrics please consult the dedicated table "Combination models-fabrics pattern".

Please Note. The two-color version provides a surcharge of 5% above the price of leather category.

C.O.M. (Fabric/Mt. plain - Fabric/Mt. repeat)*

Bed 120: 1.60mt – 1.90mt
Bed 160: 2.30mt – 2.80mt
Bed 170: 2.60mt – 4.20mt
Bed 180: 3.00mt – 4.20mt
Bed Queen-Size: 2.30mt – 4.20mt
Bed King-Size: 3.00mt – 4.20mt

*Only for headboard cushions.

Removability. Only for the headboard cushions in fabric or leather.

Rear headboard. Available upholstered in:

- Fabric (Poltrona Frau Jacquard fabric)
- Leather (matching the headboard and bedframe upholstery)

Lunghezza materasso. (Fatta eccezione per le versioni "Queen-size" e "King-size")

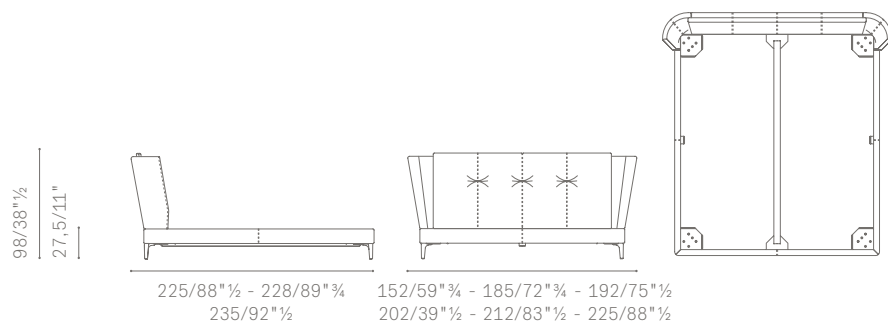
- 200 cm
- 210 cm

N.B. Piani di Riposo e Materassi sono mostrati e quotati a parte, vedi sezione dedicata.

Mattress length. (Except for the "Queen-size" and "King-size" versions)

- 200 cm
- 210 cm

Please note. Bedstead Bases and Mattresses are shown and priced separately, please consult the dedicated section.



DIMENSIONI DISPONIBILI

↓ Misure Letto	↓ Misure Materasso
cm 152×225 / 59" 3/4×88" 1/2	cm 120×200 / 46" 3/4×78" 3/4
cm 152×235 / 59" 3/4×92" 1/2	cm 120×210 / 46" 3/4×82" 3/4
cm 192×225 / 75" 1/2×88" 1/2	cm 160×200 / 63"×78" 3/4
cm 192×235 / 75" 1/2×92" 1/2	cm 160×210 / 63"×82" 3/4
cm 202×225 / 79" 1/2×88" 1/2	cm 170×200 / 67" 1/4×78" 3/4
cm 202×235 / 79" 1/2×92" 1/2	cm 170×210 / 67" 1/4×82" 3/4
cm 212×225 / 83" 1/2×88" 1/2	cm 180×200 / 70" 3/4×78" 3/4
cm 212×235 / 83" 1/2×92" 1/2	cm 180×210 / 70" 3/4×82" 3/4
cm 185×228 / 72" 3/4×89" 3/4	cm 153×203 / 60" 1/4×80" (Queen-size)
cm 225×228 / 88" 1/2×89" 3/4	cm 193×203 / 76"×80" (King-size)

AVAILABLE SIZES

↓ Bed sizes	↓ Mattress sizes
cm 152×225 / 59" 3/4×88" 1/2	cm 120×200 / 46" 3/4×78" 3/4
cm 152×235 / 59" 3/4×92" 1/2	cm 120×210 / 46" 3/4×82" 3/4
cm 192×225 / 75" 1/2×88" 1/2	cm 160×200 / 63"×78" 3/4
cm 192×235 / 75" 1/2×92" 1/2	cm 160×210 / 63"×82" 3/4
cm 202×225 / 79" 1/2×88" 1/2	cm 170×200 / 67" 1/4×78" 3/4
cm 202×235 / 79" 1/2×92" 1/2	cm 170×210 / 67" 1/4×82" 3/4
cm 212×225 / 83" 1/2×88" 1/2	cm 180×200 / 70" 3/4×78" 3/4
cm 212×235 / 83" 1/2×92" 1/2	cm 180×210 / 70" 3/4×82" 3/4
cm 185×228 / 72" 3/4×89" 3/4	cm 153×203 / 60" 1/4×80" (Queen-size)
cm 225×228 / 88" 1/2×89" 3/4	cm 193×203 / 76"×80" (King-size)